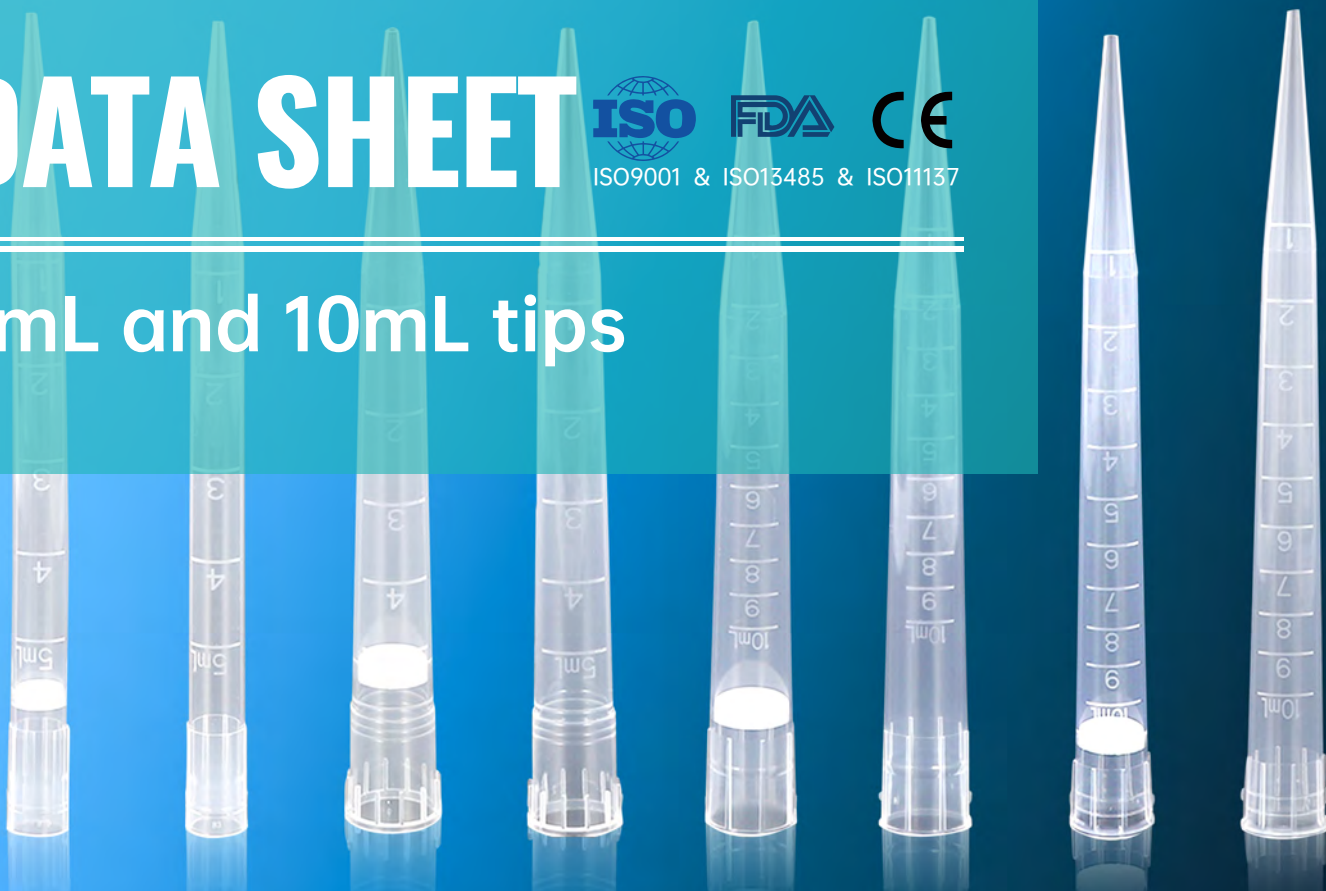


DATA SHEET




 ISO9001 & ISO13485 & ISO11137

5mL and 10mL tips



● Features



ISO Class 08

DNase RNase and DNA free,
No human DNA, endotoxin free



Autoclavable

Autoclavable at +121°C



Graduations

Meet a wider range of volumetric
pipetting needs for more precise
pipetting

● Raw Material

Manufactured of natural Polypropylene (PP) using diamond polished molds. Representative samples of the raw material have passed the USP 88 Biological Reactivity Tests, In Vivo for a Class VI plastic (Systemic Injection Test, Intracutaneous Test, Implantation Test) and USP 87 Biological Reactivity Tests, in Vitro for polymeric materials (Elution Test). In addition, Physico-chemical testing of



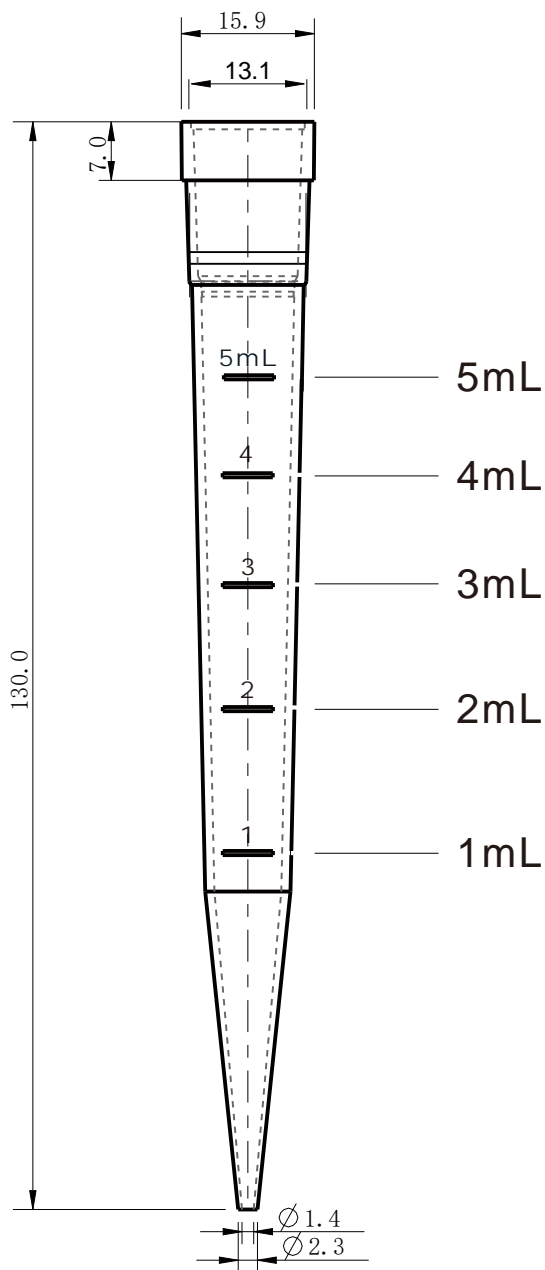
● Order information

Cat.No.	Description	Sterilized	/Pack	/Case
307011	5mL Pipette Tips For Eppendorf, Sartorius, Watson, Gilson, Bulk,	Non-Sterile	100	1000
307012	5mL Pipette Tips For Eppendorf, Sartorius, Watson, Gilson, racked, Sterile,	Sterile	240	1000
307013	5mL Filtered Pipette Tips For Eppendorf, Sartorius, Watson, Gilson, racked,	Sterile	240	1000
307021	5mL Pipette Tips For Thermo, Bulk,	Non-Sterile	100	1000
307022	5mL Pipette Tips For Thermo, racked,	Sterile	400	720
307023	5mL Filtered Pipette Tips For Thermo, racked,	Sterile	400	1200
307111	10mL Pipette Tips For Eppendorf, Sartorius, Gilson, Bulk,	Non-Sterile	100	720
307112	10mL Pipette Tips For Eppendorf, Sartorius, Gilson, racked,	Sterile	240	720
307113	10mL Filtered Pipette Tips For Eppendorf, Sartorius, Gilson, racked,	Sterile	240	720
307121	10mL Pipette Tips For Thermo, Bulk,	Non-Sterile	700	1200
307122	10mL Pipette Tips For Thermo, racked,	Sterile	240	720
307123	10mL Filtered Pipette Tips For Thermo, racked,	Sterile	240	720

Technical Drawing

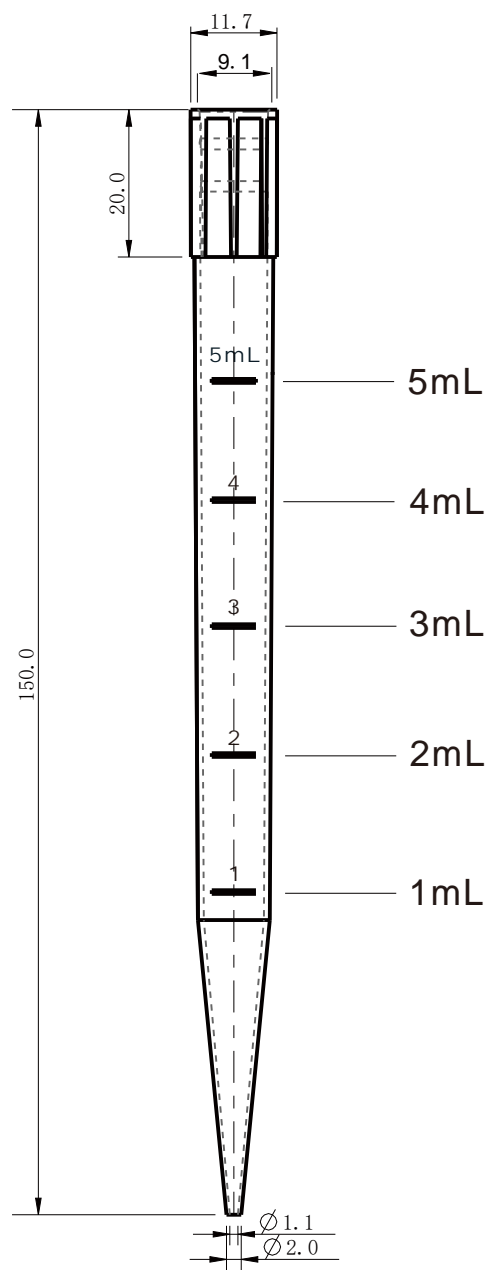
5mL Pipette Tips For Eppendorf

307211/307012



5mL Pipette Tips For Thermo

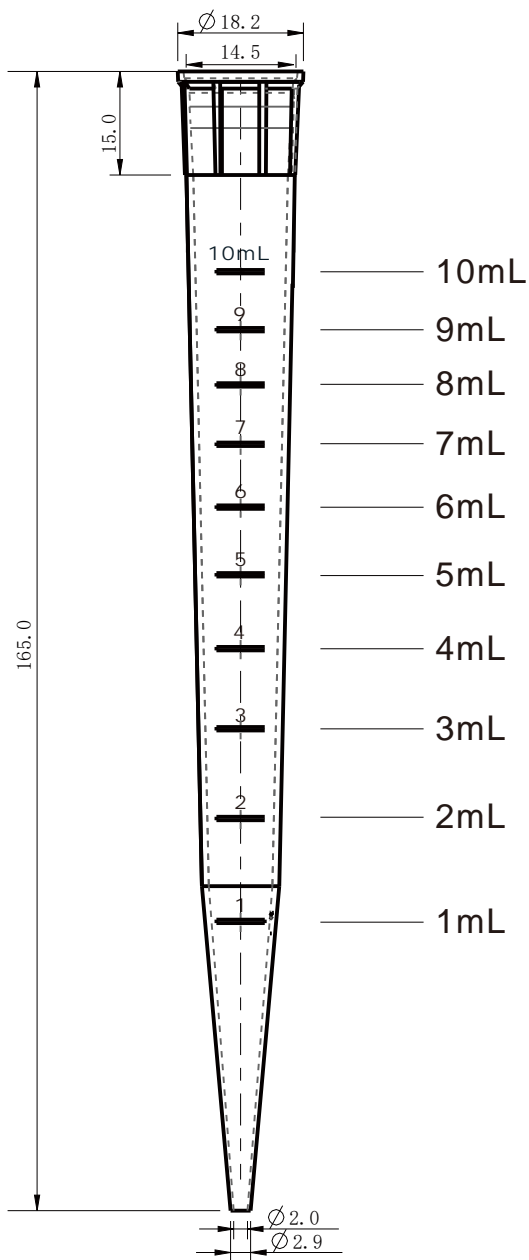
307021/307022



Technical Drawing

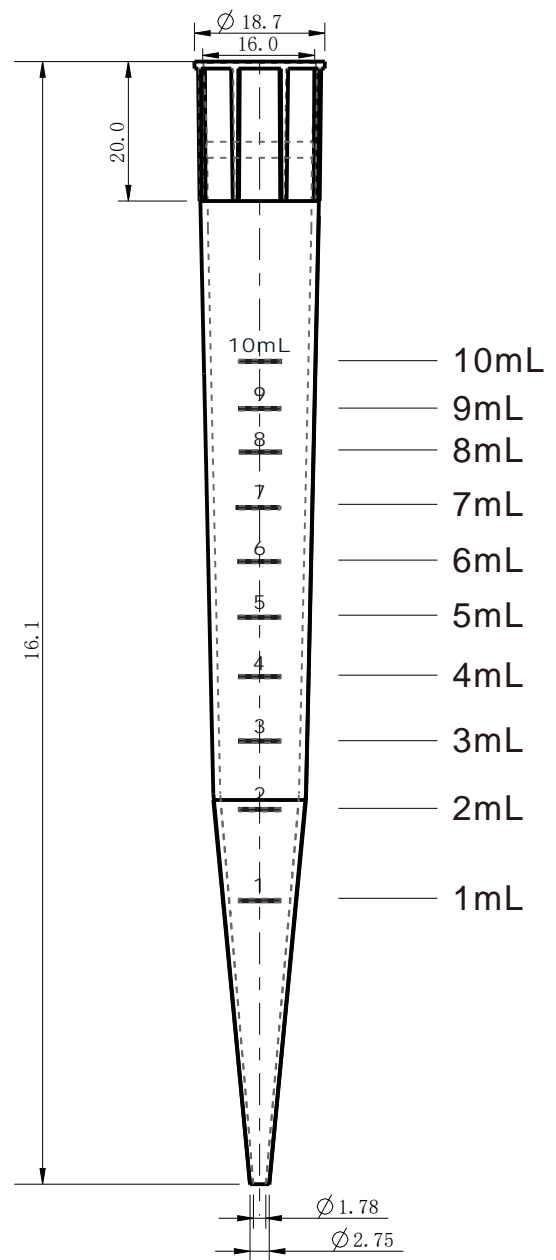
10mL Pipette Tips For Eppendorf

307111/307112



10mL Pipette Tips For Thermo

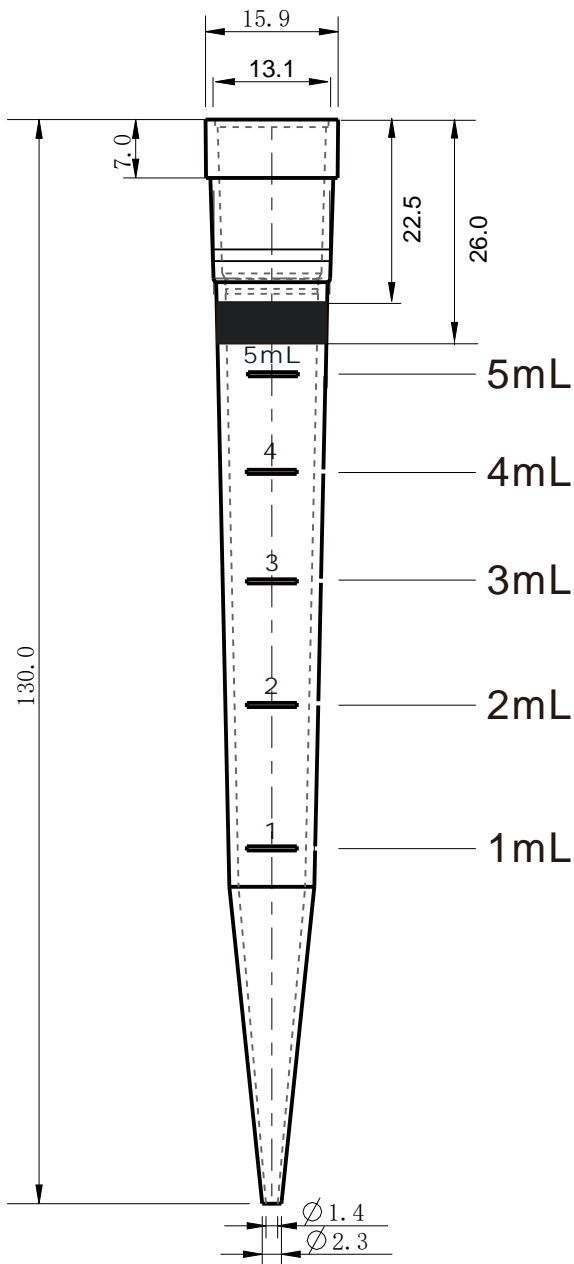
307121/307122



Technical Drawing

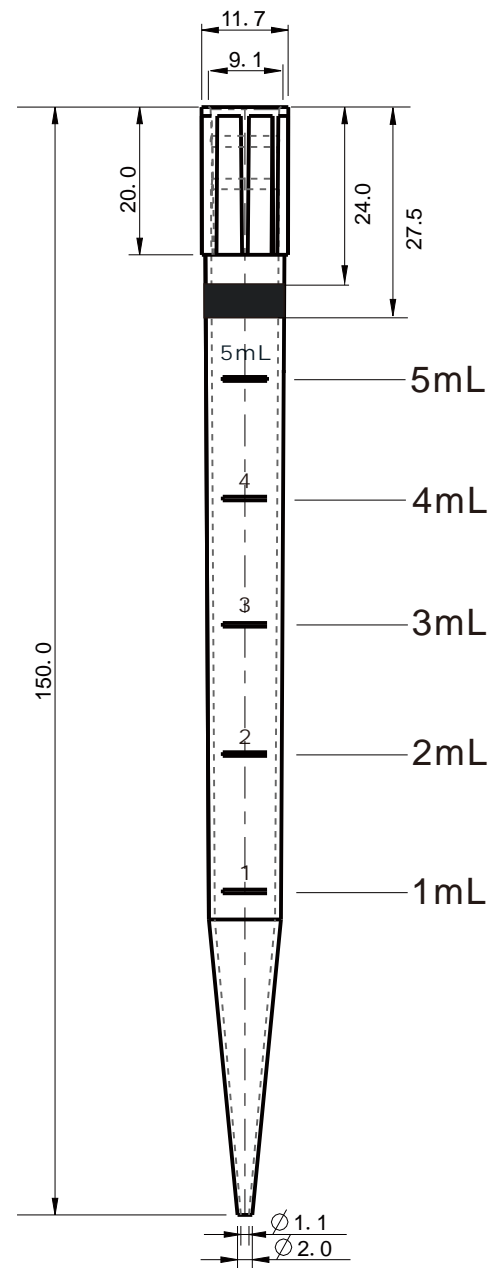
5mL Filtered Pipette Tips For Eppendorf

307013



5mL Filtered Pipette Tips For Thermo

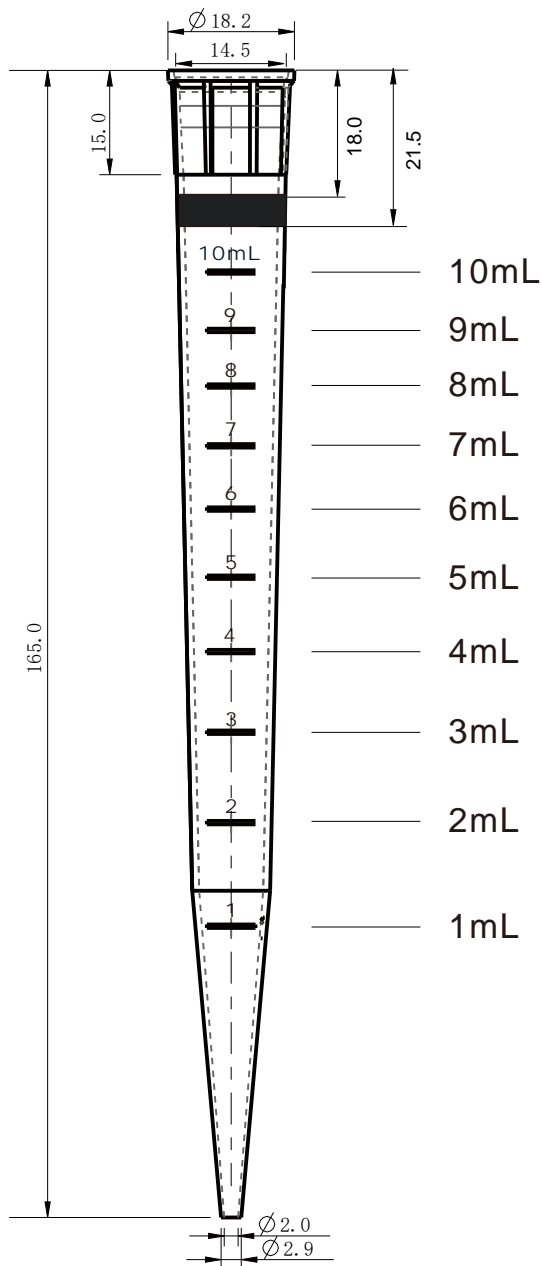
307023



Technical Drawing

10mL Filtered Pipette Tips For Thermo

307113



10mL Filtered Pipette Tips For Thermo

307123

