


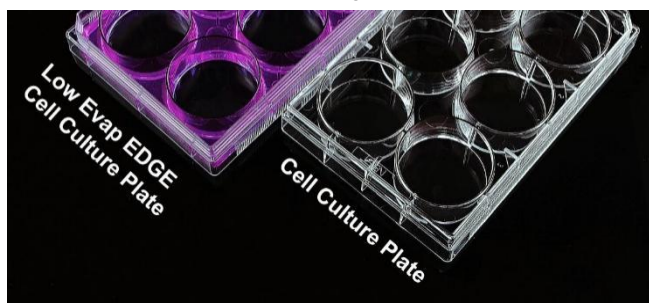


<b>Product Name:</b>	<b>Cell Culture Plate</b>
<b>Product Application:</b>	<b>For cell culture and cell biology research experiments. Tissue treated and non-treated are both available. Non-treated growth surface is more hydrophobic than tissue culture surface and are similar to the surface of a bacteriological Petri dish.</b>
<b>Product Materials:</b>	<b>Polystyrene (PS), Meets USP Class VI standards.</b>
<b>Product Shelf Life:</b>	Temperature range: stored at room temperature Shelf life: 3 Years after date of production (TC Cat.No) (ensure package is in good). 5 Years after date of production (Non-TC Cat.No)(ensure package is in good).
<b>Sterilization:</b>	<b>Yes.</b> Sterilized by E-beam, Sterility Assurance Level: SAL=10 <sup>-6</sup> . The product has been irradiated and dosimetrically released based on ANSI/AAMI/ISO 11137
<b>Pyrogens:</b>	Non-Pyrogenic
<b>RNase/DNase:</b>	DNase/RNase free
<b>BSE/TSE:</b>	These products are deemed animal free.
<b>Performance Testing:</b>	Each manufacturing lot is sampled and tested in accordance with standard operating procedures. Appearance inspection: qualified      Flatness test: qualified Hydrophilic test: qualified      Cell culture test: qualified Packaging inspection: qualified
<b>Features</b>	<ol style="list-style-type: none"> <li>Excellent design: NEST cell culture plates have round edges for better handling. Low profile, low-evaporation lid design assures uniform growth. Tissue treated and non-treated are both available. Small feet on the bottom corners of each plate eliminate scraping of the microscope lens.</li> <li>Markings of well coordinates available for 12, 24, 48, 96 and 384 well plates.</li> <li>TC treated: Vacuum Plasma tissue culture treatment, better hydrophilicity for adherent cell culture. Non-treated growth surface is more hydrophobic than tissue culture surface and are similar to the surface of a bacteriological Petri dish.</li> <li>Various packaging types:</li> </ol>
	<div style="display: flex; justify-content: space-around; align-items: flex-end;"> <div style="text-align: center;">  <p>Individually Wrapped in Peelable Tyvek Films and Blisters</p> </div> <div style="text-align: center;">  <p>Bulk, Individually plastic wrapped</p> </div> <div style="text-align: center;">  <p>Bulk, 10 qty/pk.</p> </div> </div>

### 5. Advantage of Low EVAP EDGE Plates:

Compare with Common Cell Culture Plate, Grooves are designed at the edge of the culture plate to avoid the edge effect to the greatest extent, and to ensure that the cells maintain their optimal state during cell culture.



## Product Range

Individually Wrapped in Peelable Tyvek Films and Blisters

TC Cat. No.	Non-TC Cat.No.	Product Description (Sterile)	/Pack	/Case
703001	703011	6 Well Cell Culture Plate, Flat-bottom, Clear	1	50
712001	712011	12 Well Cell Culture Plate, Flat-bottom, Clear	1	50
702001	702011	24 Well Cell Culture Plate, Flat-bottom, Clear	1	50
748001	748011	48 Well Cell Culture Plate, Flat-bottom, Clear	1	50
701001	701011	96 Well Cell Culture Plate, Flat-bottom, Clear	1	100
701101	701111	96 Well Cell Culture Plate, U-bottom, Clear	1	100
701201	701211	96 Well Cell Culture Plate, V-bottom, Clear	1	100
761001	761011	384 Well Cell Culture Plate, Flat-bottom, Clear	1	100
761301	761311	384 Well Cell Culture Plate, Flat-bottom, Black	1	100
761601	761611	384 Well Cell Culture Plate, Flat-bottom, White	1	100
714011	714001	6 Well Low Evap EDGE Cell Culture Plate, Flat-bottom, Clear	1	50
713011	713001	96 Well Low Evap EDGE Cell Culture Plate, Flat-bottom, Clear	1	100
713311	/	96 Well Low Evap EDGE Cell Culture Plate, Flat-bottom, White	1	100
701301	701311	96 Well Cell Culture Plate, Flat bottom, White	1	100
701601	701611	96 Well Cell Culture Plate, Flat bottom, Black	1	100
701701	701711	96 Well Clear Ps Bottom Cell Culture Plate, Flat-bottom, White-frame	1	30
701401	701411	96 Well Clear Ps Bottom Cell Culture Plate, Flat-bottom, Black-frame	1	30

### Head Office

Email: [info@cell-nest.com](mailto:info@cell-nest.com)  
 Online: [www.cell-nest.com](http://www.cell-nest.com)

### Oversea

NEST USA (New Jersey/ Phoenix)  
 NEST Scientific 株式会社 (Yokohama, Japan)  
 NEST Scientific Europe B.V (Netherlands)  
 NEST Scientific (MENA) FZE (Sharjah, United Arab Emirates)

### Bulk, Individually plastic wrapped

TC Cat. No.	Product Description (Sterile)	/Pack	/Case
703003	6 Well Cell Culture Plate, Flat-bottom, Clear	1	50
712003	12 Well Cell Culture Plate, Flat-bottom, Clear	1	50
702003	24 Well Cell Culture Plate, Flat-bottom, Clear	1	50
748003	48 Well Cell Culture Plate, Flat-bottom, Clear	1	50
701003	96 Well Cell Culture Plate, Flat-bottom, Clear	1	100
761003	384 Well Cell Culture Plate, Flat-bottom, Clear	1	100

### Bulk, 10 qty/pk

TC Cat. No.	Non-TC Cat.No.	Product Description (Sterile)	/Pack	/Case
703002	703012	6 Well Cell Culture Plate, Flat-bottom, Clear	10	50
712002	712012	12 Well Cell Culture Plate, Flat-bottom, Clear	10	50
702002	702012	24 Well Cell Culture Plate, Flat-bottom, Clear	10	50
748002	748012	48 Well Cell Culture Plate, Flat-bottom, Clear	10	50
701002	701012	96 Well Cell Culture Plate, Flat-bottom, Clear	10	100
761002	761012	384 Well Cell Culture Plate, Flat-bottom, Clear	10	100

### Recommend:

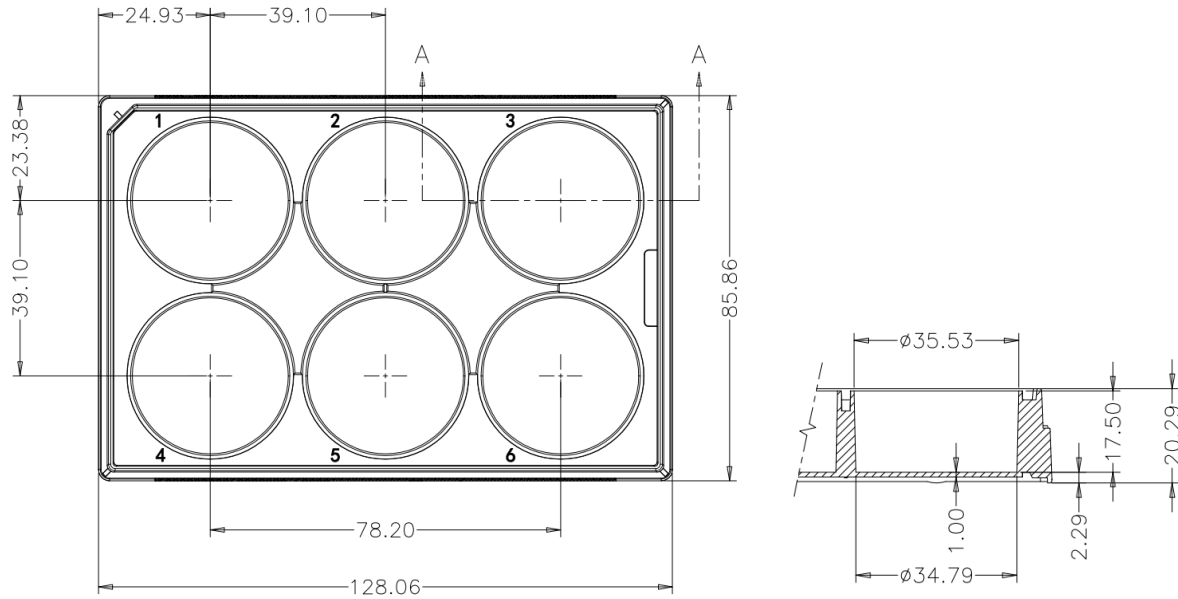
Product Type	Cell Growth Area (cm <sup>2</sup> )	Recommended Medium Volume (mL)
6 Well Cell Culture Plate	9.5	1.9~2.9
12 Well Cell Culture Plate	3.6	0.76~1.14
24 Well Cell Culture Plate	1.9	0.38~0.57
48 Well Cell Culture Plate	0.88	0.19~0.285
96 Well Cell Culture Plate, Flat-bottom	0.32	0.1~0.2
384 Well Cell Culture Plate	0.11	0.025~0.05
96 Well Cell Culture Plate, U-bottom	0.66	0.1-0.2
96 Well Cell Culture Plate, V-bottom	0.41	0.1-0.2

**Head Office** Email: [info@cell-nest.com](mailto:info@cell-nest.com)  
 Online: [www.cell-nest.com](http://www.cell-nest.com)

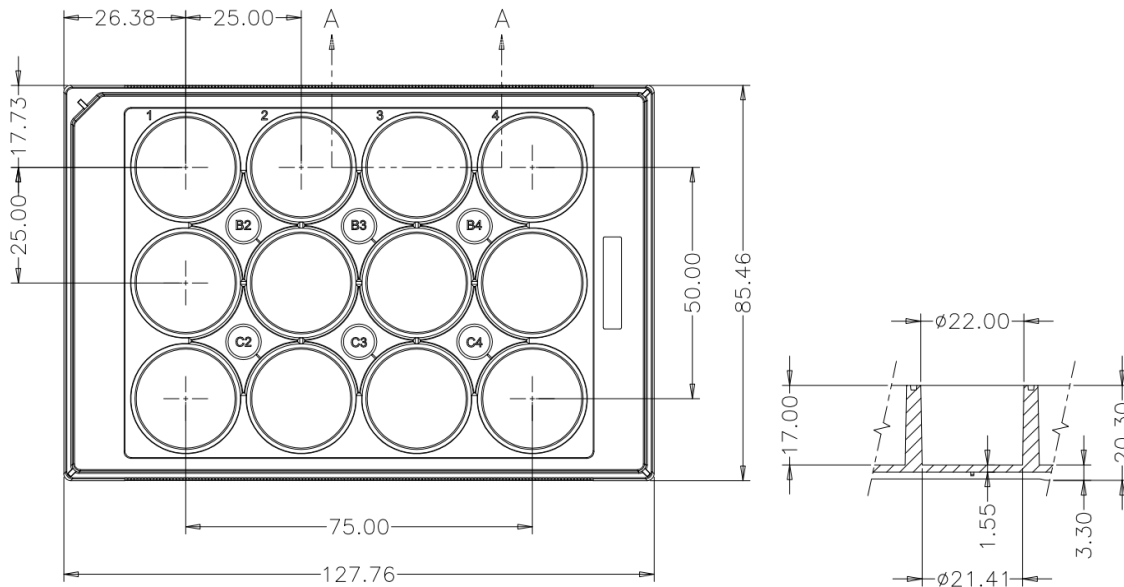
**Oversea** NEST USA (New Jersey/ Phoenix)  
 NEST Scientific 株式会社 (Yokohama, Japan)  
 NEST Scientific Europe B.V (Netherlands)  
 NEST Scientific (MENA) FZE (Sharjah, United Arab Emirates)

Technical Drawing

6 well cell culture plate



12 well cell culture plate



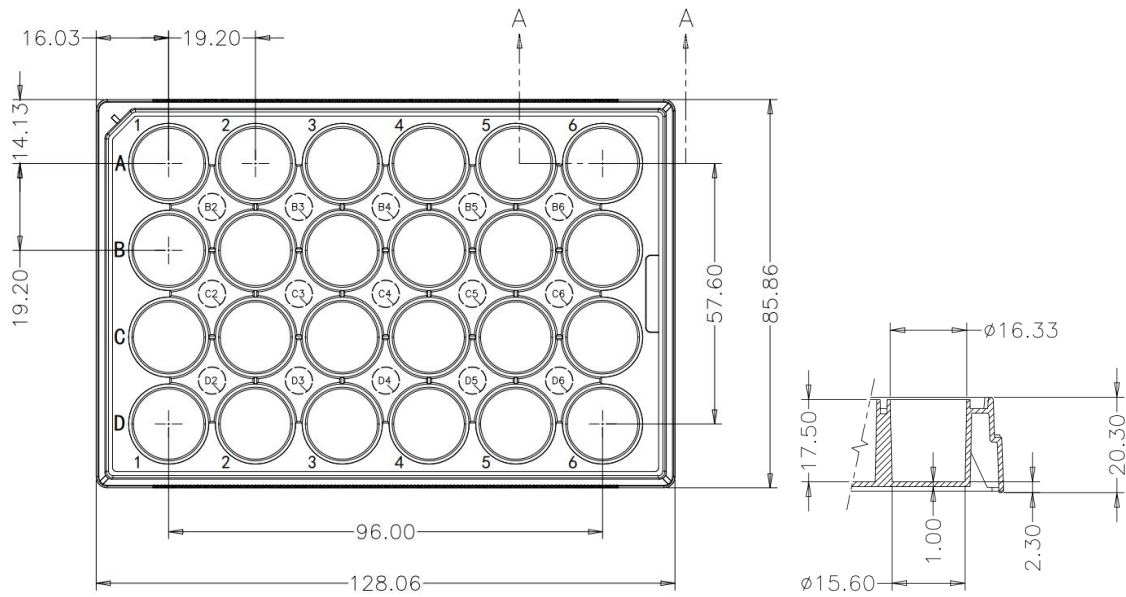
Head Office

Email: [info@cell-nest.com](mailto:info@cell-nest.com)  
 Online: [www.cell-nest.com](http://www.cell-nest.com)

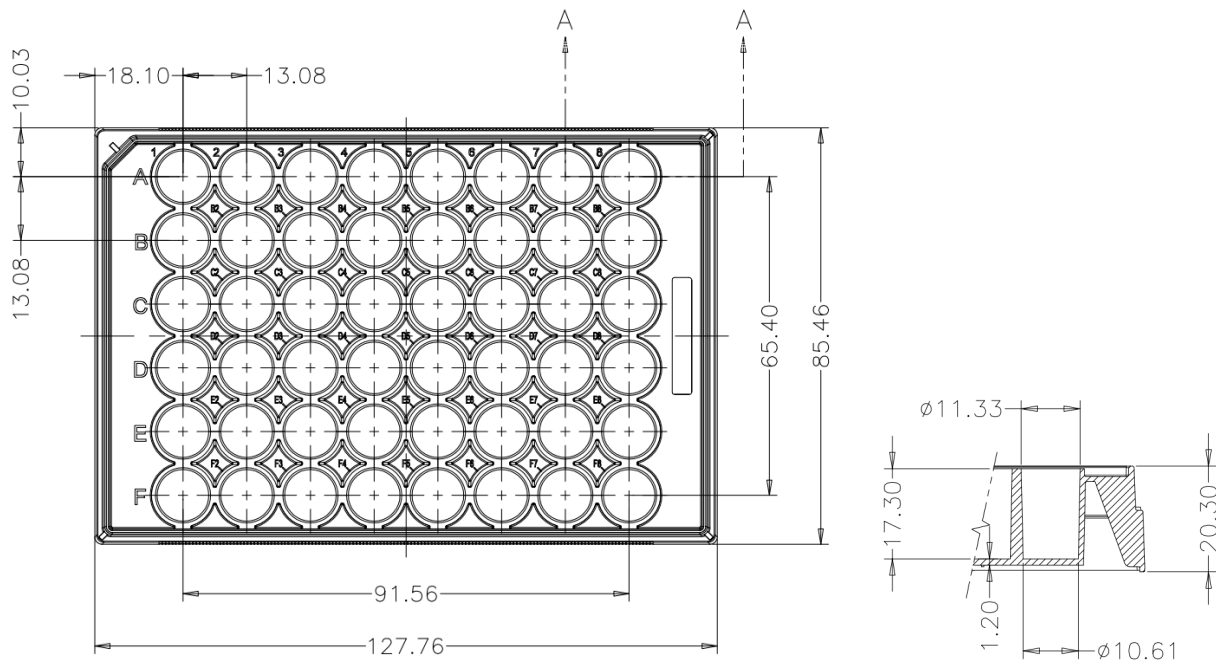
Oversea

NEST USA (New Jersey/ Phoenix)  
 NEST Scientific 株式会社 (Yokohama, Japan)  
 NEST Scientific Europe B.V (Netherlands)  
 NEST Scientific (MENA) FZE (Sharjah, United Arab Emirates)

24 well cell culture plate



48 well cell culture plate



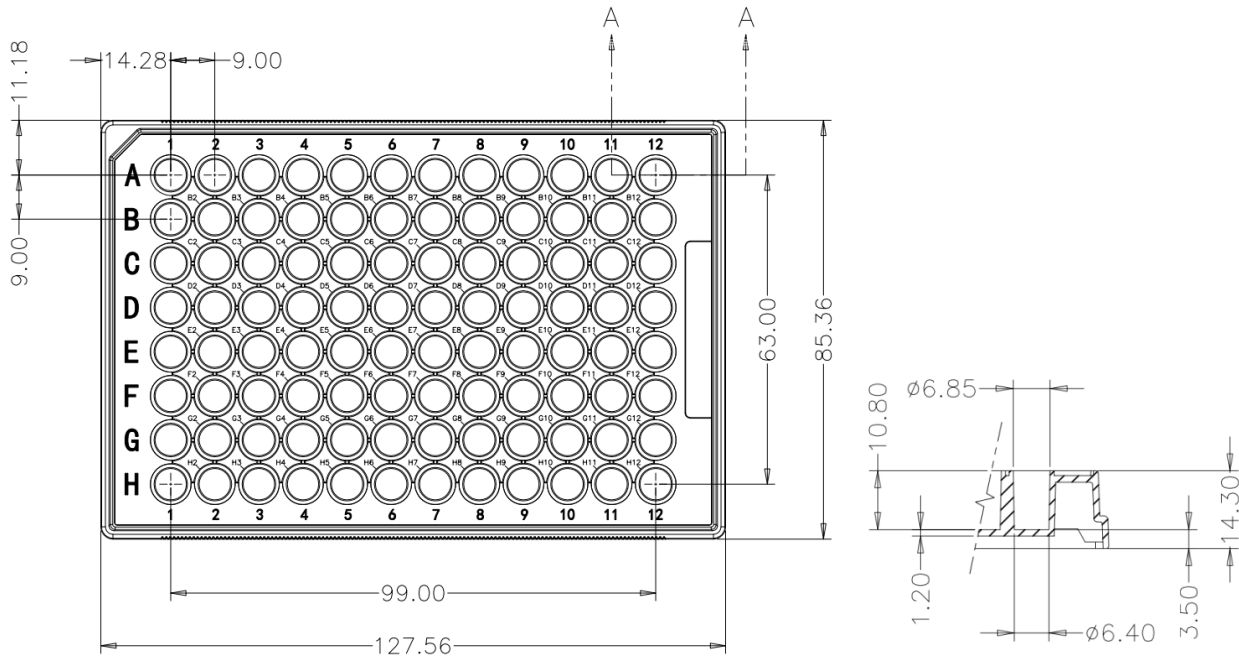
Head Office

Email: [info@cell-nest.com](mailto:info@cell-nest.com)  
 Online: [www.cell-nest.com](http://www.cell-nest.com)

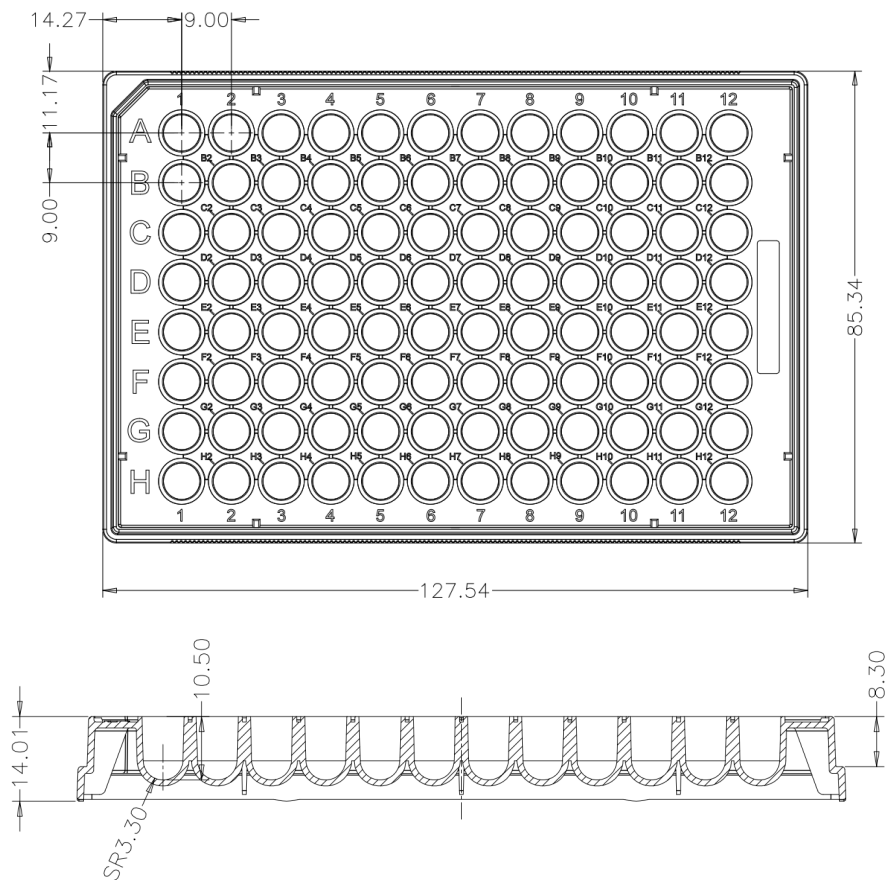
Oversea

NEST USA (New Jersey/ Phoenix)  
 NEST Scientific 株式会社 (Yokohama, Japan)  
 NEST Scientific Europe B.V (Netherlands)  
 NEST Scientific (MENA) FZE (Sharjah, United Arab Emirates)

96 well cell culture plate Flat-bottom



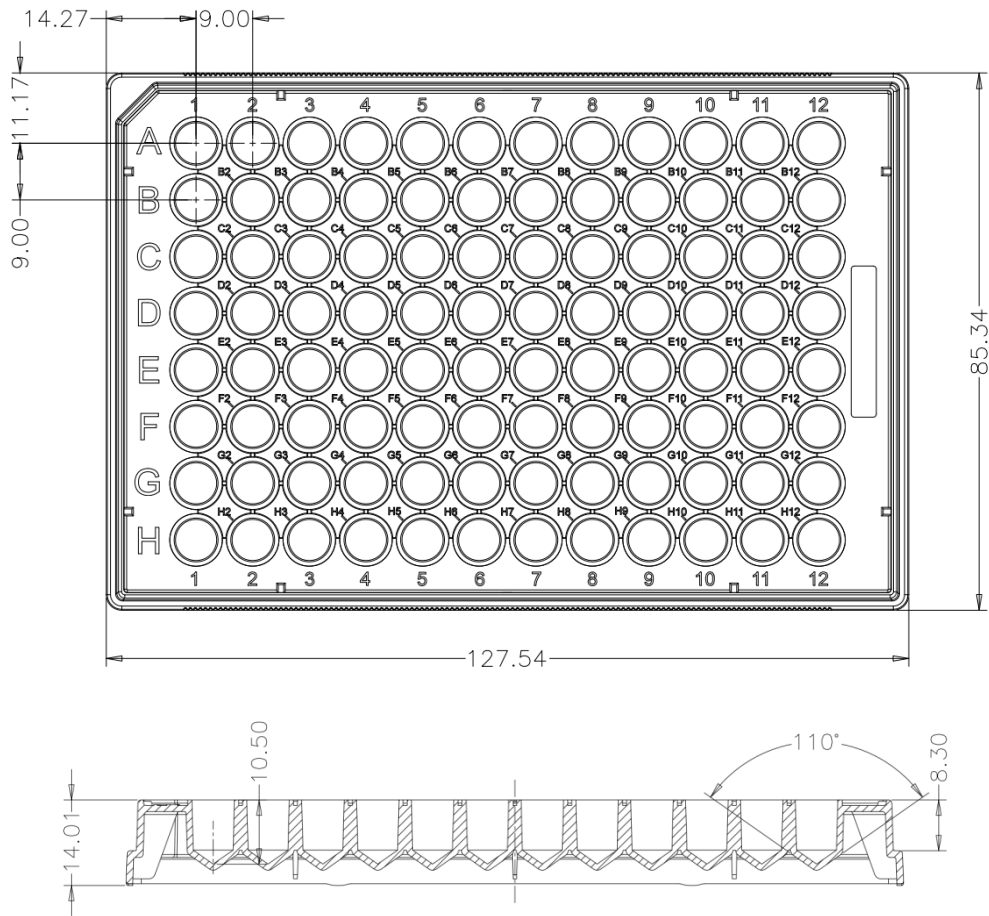
96 well cell culture plate U-bottom



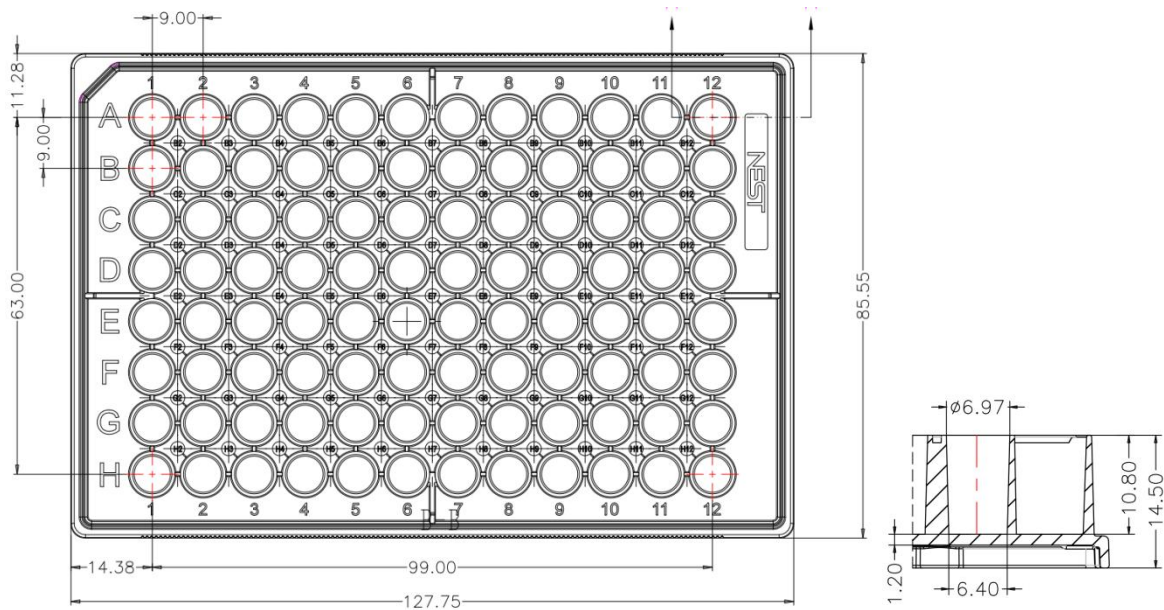
Head Office Email: [info@cell-nest.com](mailto:info@cell-nest.com)  
 Online: [www.cell-nest.com](http://www.cell-nest.com)

Oversea NEST USA (New Jersey/ Phoenix)  
 NEST Scientific 株式会社 (Yokohama, Japan)  
 NEST Scientific Europe B.V (Netherlands)  
 NEST Scientific (MENA) FZE (Sharjah, United Arab Emirates)

96 well cell culture plate V-bottom



96 well EDGE cell culture plate



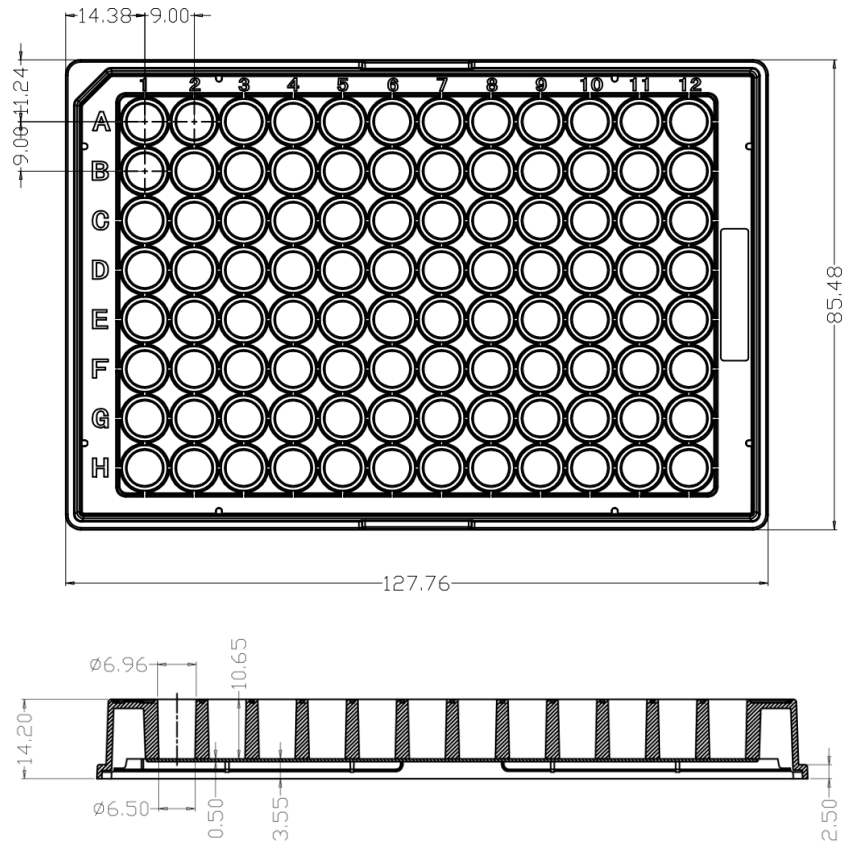
Head Office

Email: [info@cell-nest.com](mailto:info@cell-nest.com)  
 Online: [www.cell-nest.com](http://www.cell-nest.com)

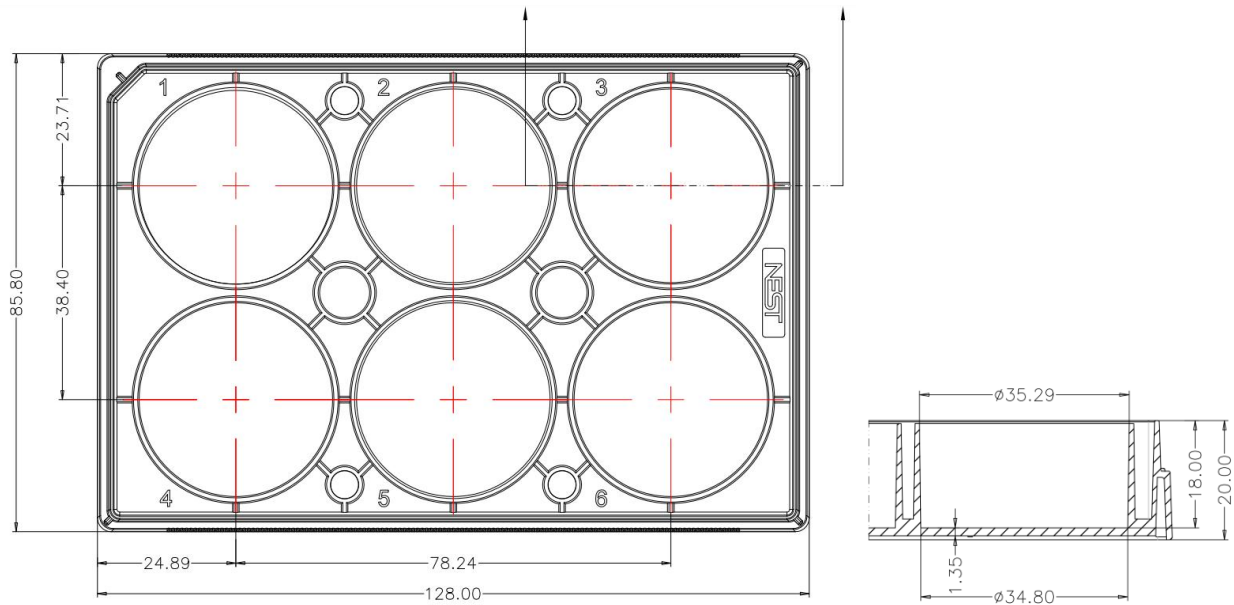
Oversea

NEST USA (New Jersey/ Phoenix)  
 NEST Scientific 株式会社 (Yokohama, Japan)  
 NEST Scientific Europe B.V (Netherlands)  
 NEST Scientific (MENA) FZE (Sharjah, United Arab Emirates)

96 well clear bottom cell culture plate



6 well EDGE cell culture plate



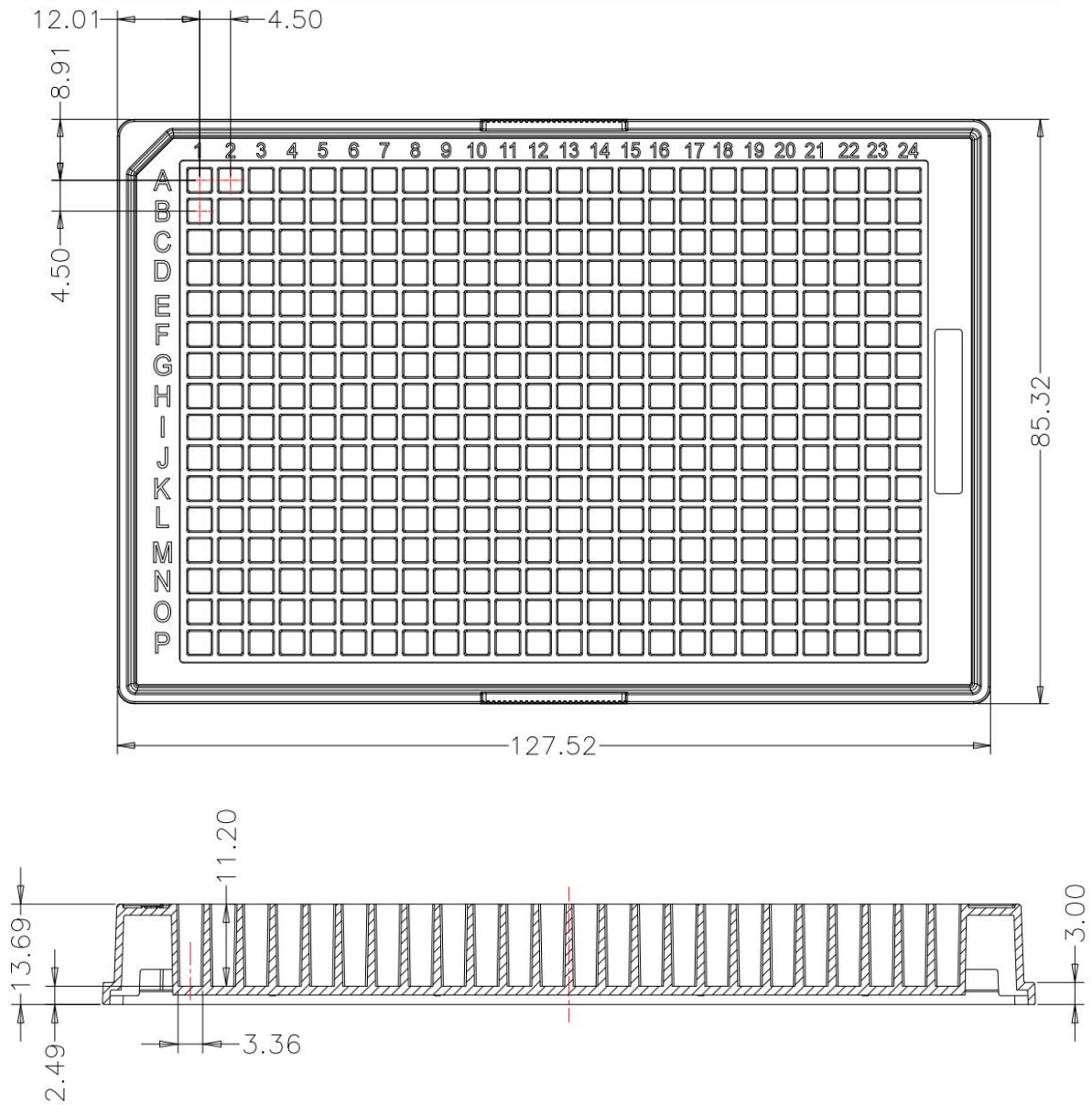
Head Office

Email: [info@cell-nest.com](mailto:info@cell-nest.com)  
 Online: [www.cell-nest.com](http://www.cell-nest.com)

Oversea

NEST USA (New Jersey/ Phoenix)  
 NEST Scientific 株式会社 (Yokohama, Japan)  
 NEST Scientific Europe B.V (Netherlands)  
 NEST Scientific (MENA) FZE (Sharjah, United Arab Emirates)

384 well cell culture plate



Head Office

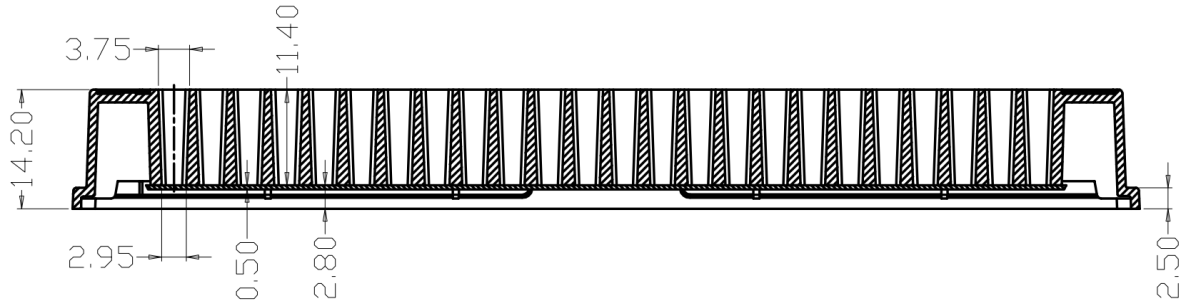
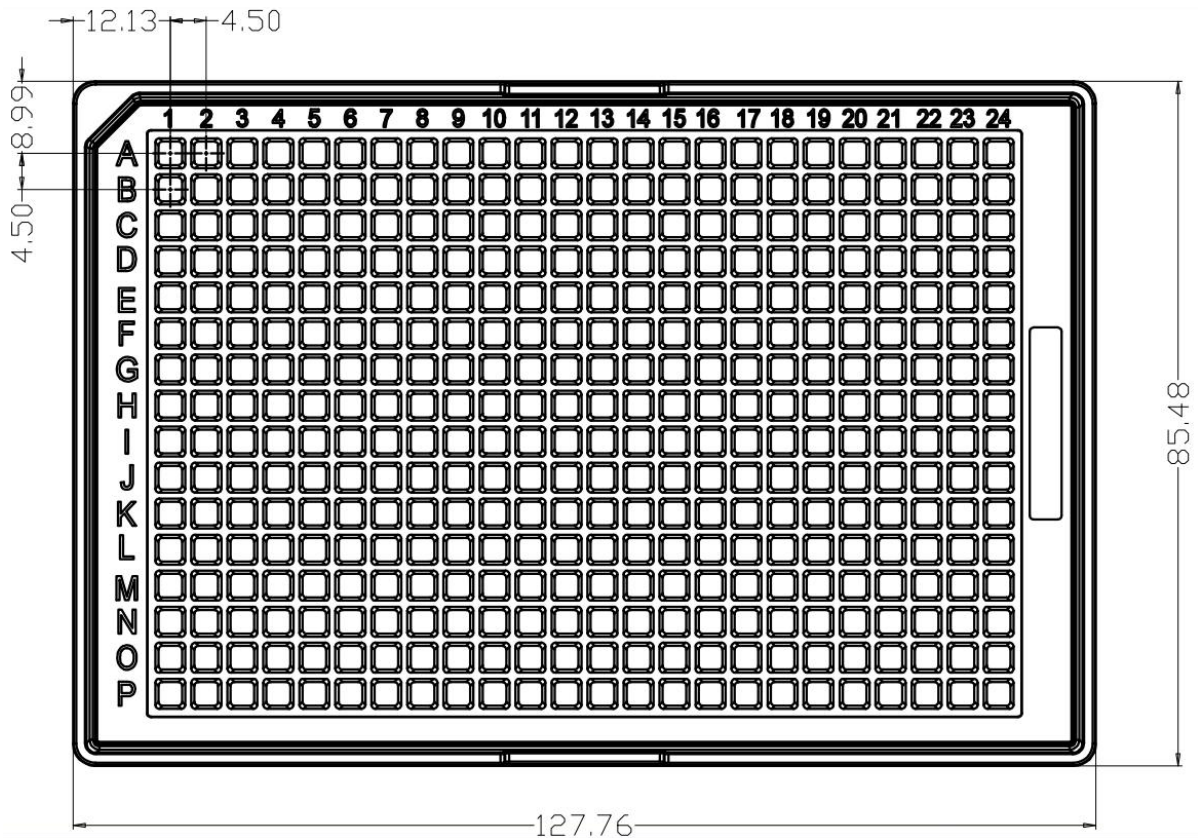
Email: [info@cell-nest.com](mailto:info@cell-nest.com)  
 Online: [www.cell-nest.com](http://www.cell-nest.com)

Oversea

NEST USA (New Jersey/ Phoenix)  
 NEST Scientific 株式会社 (Yokohama, Japan)  
 NEST Scientific Europe B.V (Netherlands)  
 NEST Scientific (MENA) FZE (Sharjah, United Arab Emirates)

ISO9001 & ISO13485 & ISO11137

384 well clear bottom cell culture plate



Head Office

Email: [info@cell-nest.com](mailto:info@cell-nest.com)  
 Online: [www.cell-nest.com](http://www.cell-nest.com)

Oversea

NEST USA (New Jersey/ Phoenix)  
 NEST Scientific 株式会社 (Yokohama, Japan)  
 NEST Scientific Europe B.V (Netherlands)  
 NEST Scientific (MENA) FZE (Sharjah, United Arab Emirates)